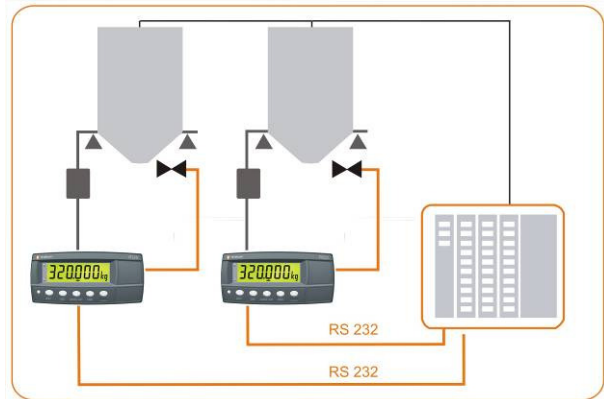




Kelba (Aust) Pty Ltd
 7 Leonard Street, Hornsby, NSW 2077
 Tel: +61 2 9476 4544
 Fax: +61 2 9477 7974
 Email: Kelba@kelba.com
 Website: www.kelba.com

R320 and R323 – Data Sheet



- Trade Approved Australia/Europe/USA
- Configurable printing
- Built in clock calendar
- Totalising unit switching, counting, hold & peak hold
- Two isolated outputs
- AC, DC and battery options
- Built in RS232 comms port

The R300 series of indicators builds on over 15 years of design experience to create a series of cost effective reliable products that are ideal for use in mobile applications such as forklifts, platforms, inside truck cabs and crane scales, OEM applications. The compact housing and powering options make them suitable for basic weighing on a scale through to OEM applications. Ideal for basic weight-control or level-control functions.

Available in ABS and stainless steel housings:

- R320 IP65 ABS housing
- R323 IP65 stainless steel housing.

Each comes in a panel mount variant, with options for desk, wall and pole mounting.

Programmable function key configured for any one of the built-in functions (Counting, Manual Hold, Peak Hold, Live Weight Totalising)

Configurable printing combined with the **clock calendar** allow for traceable dockets to be printed.

Built in RS232 communications port is 15kV static protected.

Two Isolated set point outputs - high side driver up to 300mA, allowing for example, direct connection to PLCs and for external actuators to be driven directly

Wide DC operation (7 -24V) to suit a variety of onboard OEM applications. Eliminates the need for third party power supplies saving on system complexity and cost.

Long life rechargeable battery options ideal for mobile installations allowing for operator flexibility.

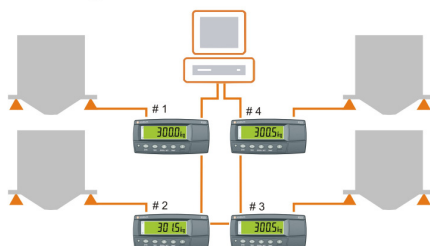
Opto-link magnetically coupled link on front fascia for easy access in situ for updates/setup of the indicator, saving the installer time and effort.

IP65 rated housings: Dust and water tight, increasing reliability and indicator life time.

Trade and emissions approvals in Australia, Europe and USA: End equipment is export ready with approved componentry.

Smart Weighing

Ring Networked R320/R323s



Ring networking

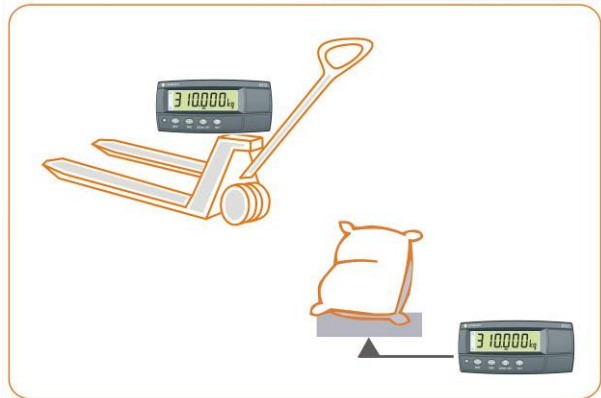
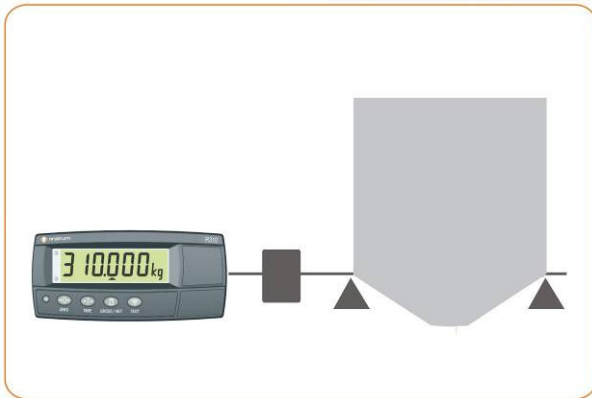
- Connect up to 31 indicators in a ring network
- Save on cabling
- Single interface back to the master PC

..now that's smart weighing



Kelba (Aust) Pty Ltd
 7 Leonard Street, Hornsby, NSW 2077
 Tel: +61 2 9476 4544
 Fax: +61 2 9477 7974
 Email: Kelba@kelba.com
 Website: www.kelba.com

R310 – Data Sheet



- Trade Approved Australia/Europe/USA
- AC, DC and rechargeable NiMH battery options
- 20mm (0.8in) LCD display with LED backlight
- Versatile mounting options
- Tough, compact ABS housing
- AC, DC and battery options
- Opto-link connector

The R300 series of indicators builds on over 15 years of design experience to create a series of cost effective reliable products that are ideal for use in mobile applications such as forklifts, platforms, inside truck cabs and crane scales, OEM applications. The compact housing and powering options make them suitable for basic weighing on a scale through to OEM applications. Ideal for basic weight-control or level-control functions.

The R310 is the basic unit of the series and is ideal for use in platform scales and simple weighing applications where the display of weight is the primary requirement. It is available as panel mount, with options for desk, wall and pole mounting.

Wide DC operation (7 -24V) to suit a variety of onboard OEM applications. Eliminates the need for third party power supplies saving on system complexity and cost.

Long life rechargeable battery options ideal for mobile installations allowing for operator flexibility.

Opto-link magnetically coupled link on front fascia for easy access in situ for updates/setup of the indicator, saving the installer time and effort.

IP65 rated housing: Dust and water tight, increasing reliability and indicator life time.

Trade and emissions approvals in Australia, Europe and USA: End equipment is export ready with approved componentry.

Smart Weighing



Desk Stand
Rear Boot



IP65
Rear Boot



Wall Mounting

Flexible mounting and power options

- Desk stand with 4xAA battery compartment
- IP65 rear boot
- Rechargeable battery option
- Wall mounting bracket to work with desk stand or rear boot.

..now that's smart weighing.



Kelba (Aust) Pty Ltd
 7 Leonard Street, Hornsby, NSW 2077
 Tel: +61 2 9476 4544
 Fax: +61 2 9477 7974
 Email: Kelba@kelba.com
 Website: www.kelba.com

R300 Series Specification Table

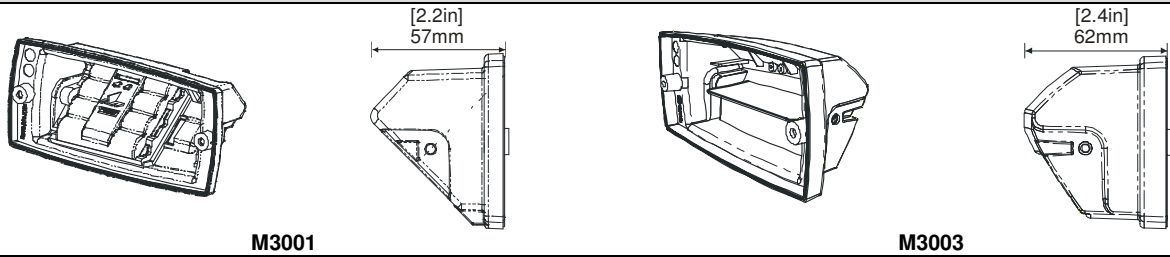
		R310	R320	R323	
Resolution		Up to 30,000 d, minimum of 0.25µV/d, 20 updates/second			
Zero Cancellation		± 2.0mV/V			
Span Adjustment		0.1mV/V to 3.0mV/V full scale			
Excitation		5 V for up to 4 x 350 or 8 x 700 ohm load cells (4-wire or 6-wire plus shield) Max total load cell resistance: 3,500Ω (4x350Ω Nontrade 8x350Ω)			
A/D Type		24bit Sigma Delta with 8,388,608 internal counts			
Operating Environment		Temperature: -10° to +50°C ambient (14° to 122° F) Humidity: <90% non-condensing IP65 when panel mounted			
Display		LED Backlit LCD with six 20mm (0.8") high digits with units and annunciators			
Setup and Calibration		Full digital with visual prompting in plain messages			
Digital Filter		Sliding window average from 0.1 to 4.0 s			
Zero Range		Selectable from ± 2% to ± 20% Full Scale			
Standard Power Input		4.8 to 24VDC, 4.8, 9.6, 12 and 24V batteries (2.5 VA max) ON/OFF key with memory feature			
Variants	AC	AC Plug pack: 110/240VAC 50/60Hz in 12VDC 1.5A out		AC Power supply: 110/240VAC 50/60Hz in 12VDC 1.2A out	
	Battery	12V battery pack (rechargeable NiMH)		12V battery pack (rechargeable NiMH)	
		4 x AA batteries		-	
Optical Data Communications		Magnetically coupled infra-red communications Conversion cables available for RS232 or USB			
		R310	R320	R323	
Serial Outputs		-	RS232 automatic transmit, network or printer outputs. Transmission rate: 2400, 4800 or 9600 baud		
Assignable Function Keys		-	1		
Input/Outputs		-	2 Outputs - isolated transistor drive outputs (300mA total at 50VDC)		
Battery Backed Clock Calendar		-	1 Input Battery life 10 years minimum		
Functions		-	Unit switching, counting, manual hold, peak hold, live weight, totalizing and ring networking		
Set points		-	2		
Case Materials		ABS Housing		Stainless Steel Flush Mount	
Packing Weights		Basic Indicator: 0.34kg (12oz)		Basic Indicator: 0.49kg (17oz)	
		(R310) K301	K302	K305	K303
Approvals		4,000 d @0.8uV/d NMI (S-420),OIML R76			10,000d III/III L NTEP 08-072
		-	T6244, TC6242, EN 60601-1-2: 2007,		-
		FCC, CE, C-tick,			
Linearity Correction		Ten point		-	
Range		Single	Single	Dual	Single

R320 Brackets		R323 Brackets	
			
M3002	M3007	M3010	M3011

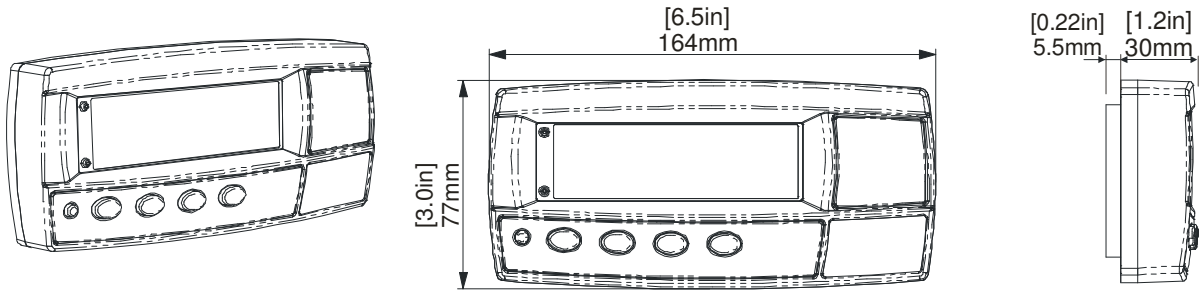


Kelba (Aust) Pty Ltd
 7 Leonard Street, Hornsby, NSW 2077
 Tel: +61 2 9476 4544
 Fax: +61 2 9477 7974
 Email: Kelba@kelba.com
 Website: www.kelba.com

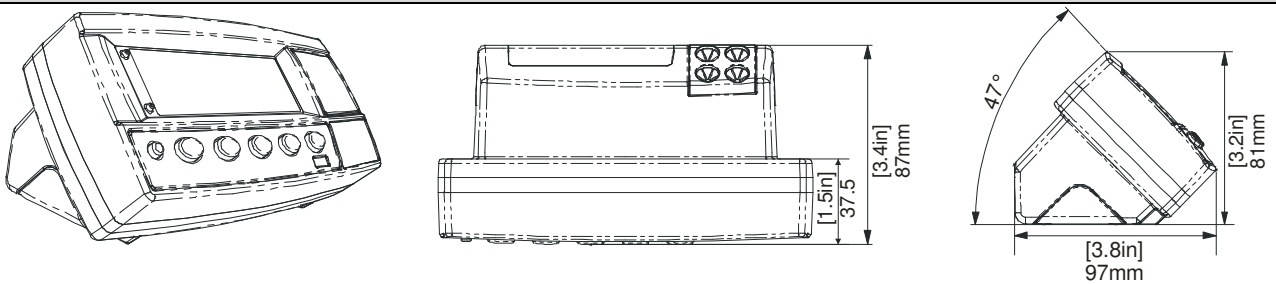
R320 Accessories – Rear boots



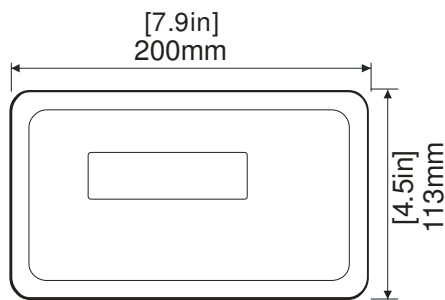
ABS Panel Mount



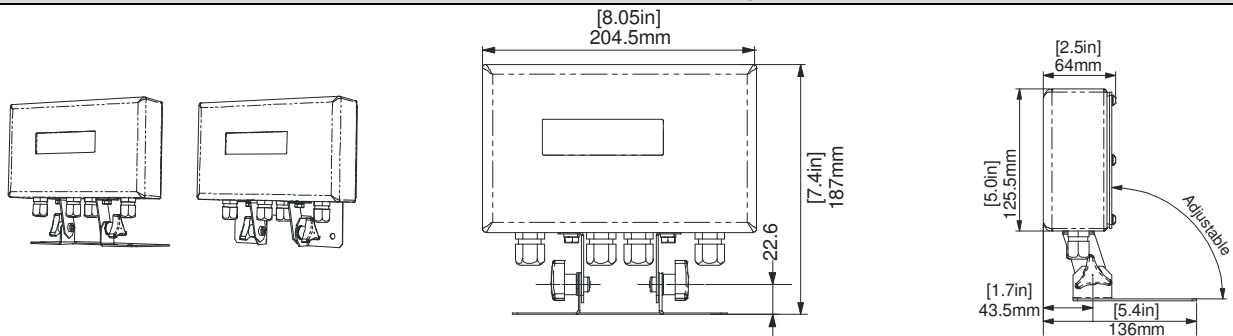
ABS with Rear Boot Desk Stand (M3001)



Stainless Steel Panel Mount



Stainless Steel with Rear Housing and Stand



Specifications are subject to variation for improvement without notice. Illustrations are indications only and variation may be evident between products