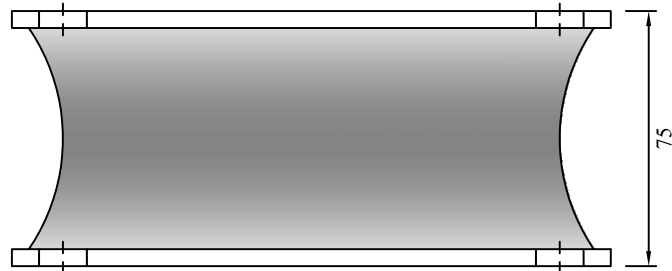
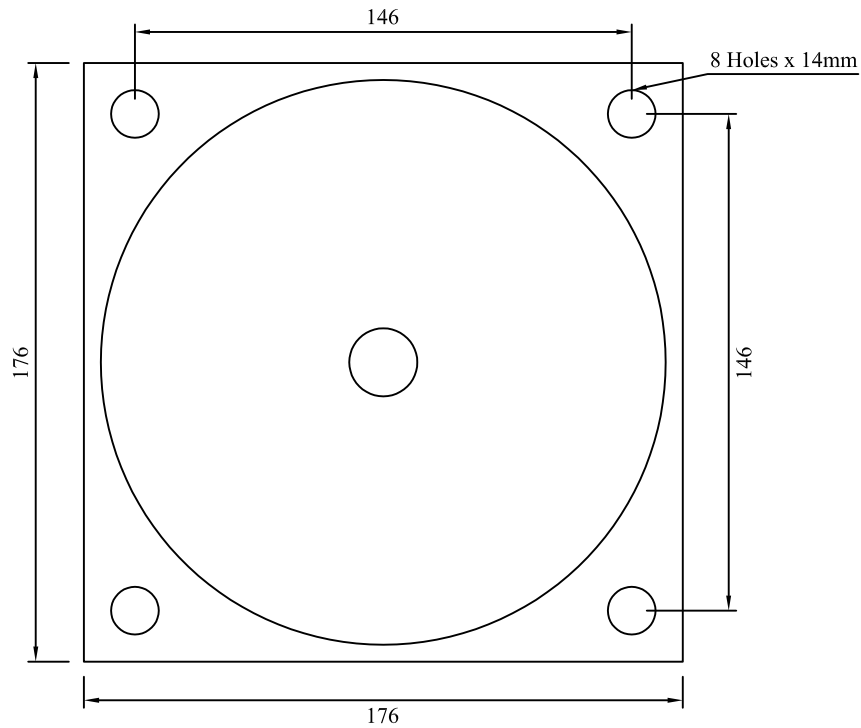
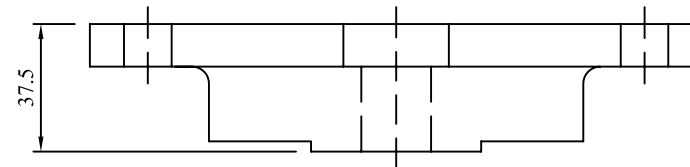
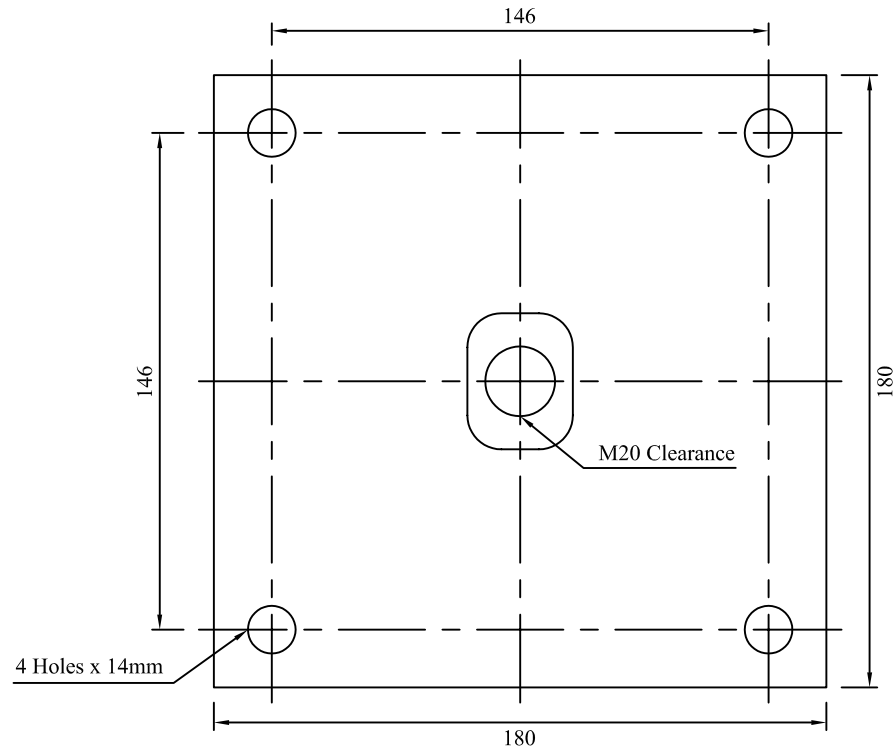


# Kelba KO41 Rubber Mount & KO41 Adapter Bracket



KO41 Rubber mount are zinc plated steel  
(Stainless steel available on special order)

Maximum Mount Deflection  
13.8mm @ 5,000kg



KO41 Adaptor bracket are Nickel plated  
(Stainless Steel available on special order)

<b>Kelba ( Australia ) Pty Ltd</b>					
Reference		<b>KO41 Rubber Mount &amp; Adaptor Bracket</b>			
Date	23/05/06				
Mod By	M.Rodrick				
Approved		Drg No.	KO41 Mount & Bracket - 01	Rev	2
Scale	NTS			Date	04/04/07