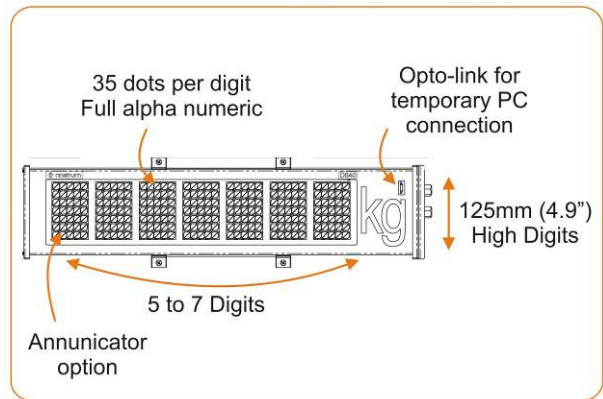




Kelba (Aust) Pty Ltd
 7 Leonard Street, Hornsby, NSW 2077
 Tel: +61 2 9476 4544
 Fax: +61 2 9477 7974
 Email: Kelba@kelba.com
 Website: www.kelba.com

D640 – Data Sheet



- 125mm (4.9in) Electromechanical dot matrix digits
- Status Annunciators
- Suitable for external use
- Isolated RS232/485 & 20mA Serial Inputs
- Shatterproof Glass Window
- Cross manufacturer compatibility
- Opto link on front panel for firmware upgrades

The D640 is an ALPHA-Numeric electromechanical remote display that is part of Rinstrum's range of large remote that are built for industrial applications for both indoors and out. The range includes the D640, D740 and 6500, they feature:

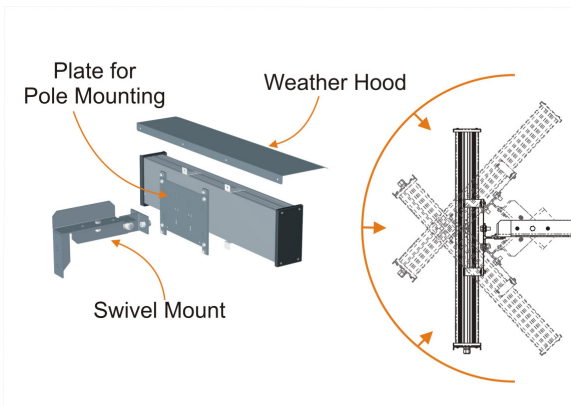
- Isolated RS232, RS485 and 20mA loop serial input;
- 3 annunciators;
- Shatterproof laminated glass window;
- Compatibility with a wide range of indicators.

The meaningful display, with annunciators and numeric and alpha characters, and the highly visible digits allow for precise reading across long distances in work sites.

The D640 features:

- 125mm (4.9in) electromechanical flip-flop digits for easy reading under all lighting conditions at a range of angles.
- 7x5 electromechanical dot matrix for each digit (35 dots per digit), allowing full alpha numeric characters to be displayed for even greater clarity.
- Available in a variety of configurations from 5 to 7 digits
- Easy firmware upgrades using the magnetically coupled infra-red communications on the front pane
- DC version, making it suitable for installation into DC environments directly

Smart Weighing



Tough Housings

The housing are designed and built for industrial environments with accessories for versatile mounting.

- Shatterproof laminated glass
- Powder coated aluminum extrusion
- Weatherhood
- Swivel arm for directional wall or pole mounting

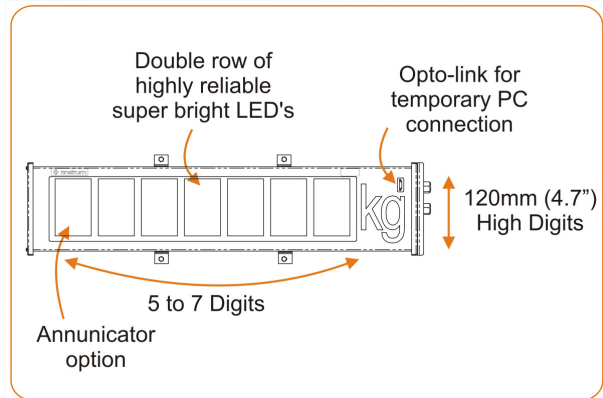
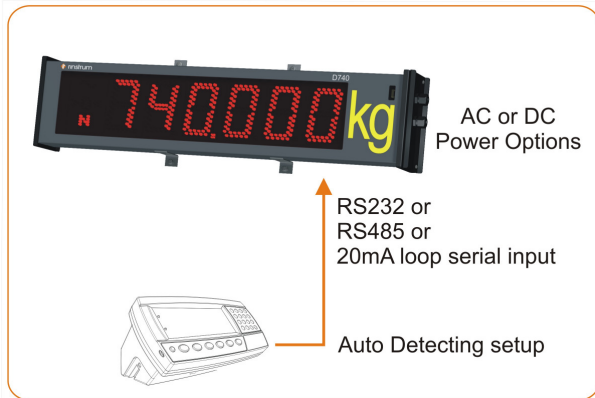
This combination of features ensures the displays will reliably work in rugged environments with reduced safety concerns and reduced risk of damage from weather or knocks.

..now that's smart weighing.



Kelba (Aust) Pty Ltd
 7 Leonard Street, Hornsby, NSW 2077
 Tel: +61 2 9476 4544
 Fax: +61 2 9477 7974
 Email: Kelba@kelba.com
 Website: www.kelba.com

D740 – Data Sheet



- 120mm (4.7in) digits with double row of super bright LEDs
- Status Annunciators
- Suitable for external use
- Isolated RS232/485 & 20mA Serial Inputs
- Shatterproof Glass Window
- Cross manufacturer compatibility
- Opto link on front panel for firmware upgrades

The D740 is a super bright LED remote display that is part of Rinstrum's range of large remote that are built for industrial applications for both indoors and out. The range includes the D640, D740 and 6500, they feature:

- Isolated RS232, RS485 and 20mA loop serial input;
- 3 annunciators;
- Shatterproof laminated glass window;
- Compatibility with a wide range of indicators.

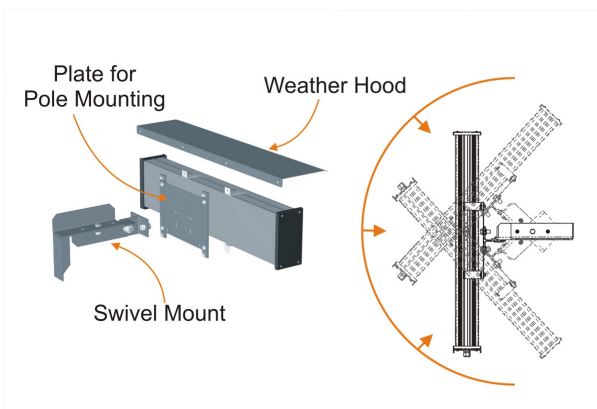
The meaningful display, with annunciators and numeric and alpha characters, and the highly visible digits allow for precise reading across long distances in work sites.

The D740 features:

- Double row of highly reliable super bright LED's to create a display that is visible in all lighting conditions, even in direct sunlight.
- 120mm (4.7in) digits for easy reading under all lighting conditions.
- Available in a variety of configurations from 5 to 7 digits
- Easy firmware upgrades using the magnetically coupled infra-red communications on the front pane

DC version, making it suitable for installation into DC environments directly

Smart Weighing



Tough Housings

The housing are designed and built for industrial environments with accessories for versatile mounting.

- Shatterproof laminated glass
- Powder coated aluminum extrusion
- Weatherhood
- Swivel arm for directional wall or pole mounting

This combination of features ensures the displays will reliably work in rugged environments with reduced safety concerns and reduced risk of damage from weather or knocks.

..now that's smart weighing.

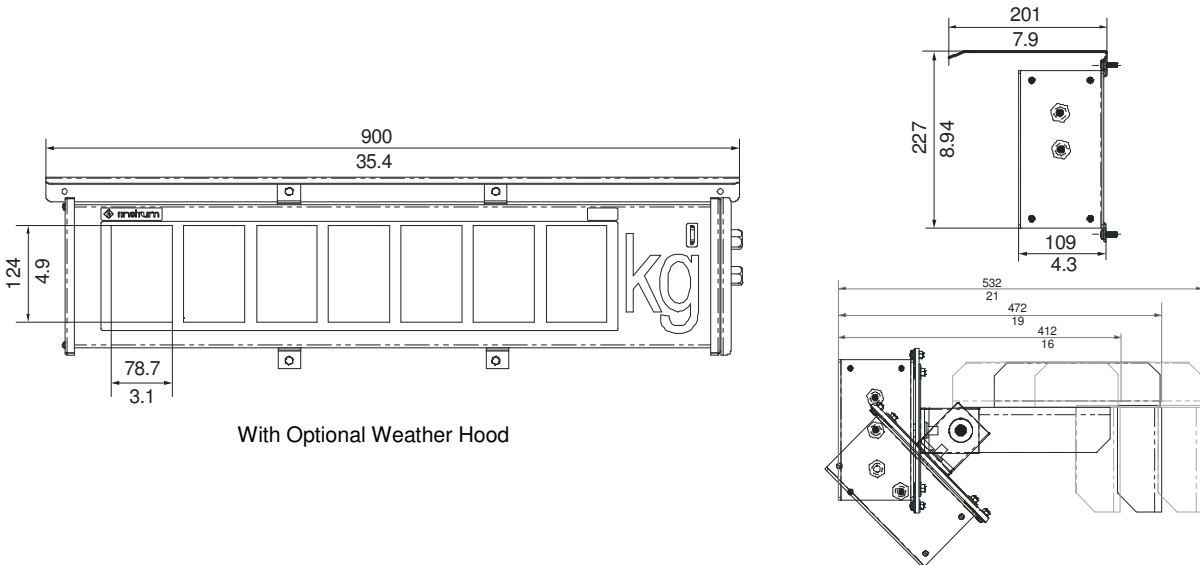


Kelba (Aust) Pty Ltd
 7 Leonard Street, Hornsby, NSW 2077
 Tel: +61 2 9476 4544
 Fax: +61 2 9477 7974
 Email: Kelba@kelba.com
 Website: www.kelba.com

D640 and D740 Specification Table

Performance	D640	D740	6500
Display	Up to seven (7) digits	Up to seven (7) digits	Six (6) digits
	35 segments per digit	68 LED's per digit	15 segments per digit
	Full alpha numeric characters	Numeric and semi-alpha characters	Numeric and semi-alpha characters
Display Type	Electromechanical	Super Bright LED's	Electromechanical
Digit Height	125mm (5")	120mm (4")	75mm (3")
Status Annunciators	Motion, Centre of Zero and Net		
Visibility	Up to 100m		Up to 40m
Operating Environment	Temperature: -10 to +50°C case temperature (14 °F to 122 °F)		
	Humidity:<90%rh non-condensing		
Setup	Auto detecting to compatible indicators		Full digital with visual prompting in plain messages
Memory	Full non-volatile operation		
Weight	10kg (352 oz)		5kg (176 oz)
Serial Communications	RS232 – receive only		RS232
	RS485 – receive only		RS485
	20mA Current Loop - receive only		20mA Current Loop – receive only
AC Power	110/240VAC 50/60Hz 25W		110/240VAC 50/60Hz 15W
DC Power	12-24VDC		-
Set Up Communications	Magnetically coupled infra-red communications Conversion cables available for RS232 or USB		Dedicated RS232 front pane
Approvals	FCC, CE, C-tick		
	Complies with S1/0 for auxiliary devices, suitable for trade applications		
Unit Addressing	Up to 7		Up to 99
Features	Display timeout available	Display timeout available	Display timeout available
	Font selectable for curved or blocked	Selectable brightness	Summing up to 10 units
PC Programming	PC programmable using Viewer software		
Options	Weather Hood/ Pole Mount/ Swivel Mount		

Specifications are subject to variation for improvement without notice - Illustrations are indications only and variation may be evident between products



With Optional Weather Hood



Kelba (Aust) Pty Ltd
7 Leonard Street, Hornsby, NSW 2077
Tel: +61 2 9476 4544
Fax: +61 2 9477 7974
Email: Kelba@kelba.com
Website: www.kelba.com