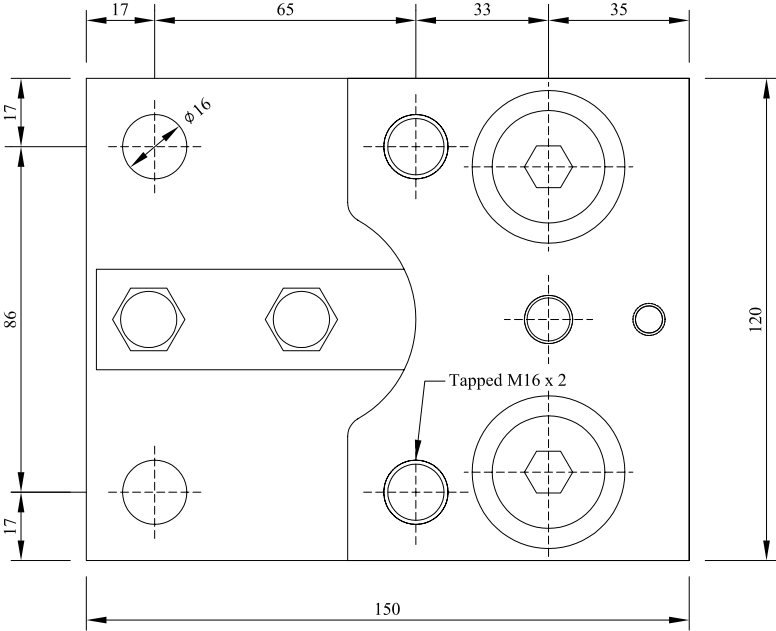
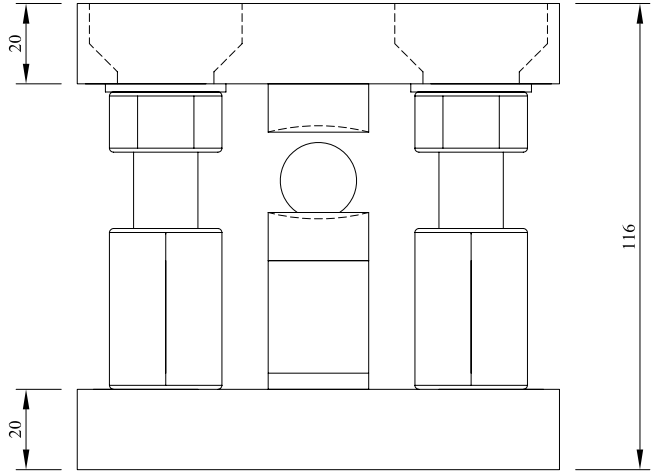
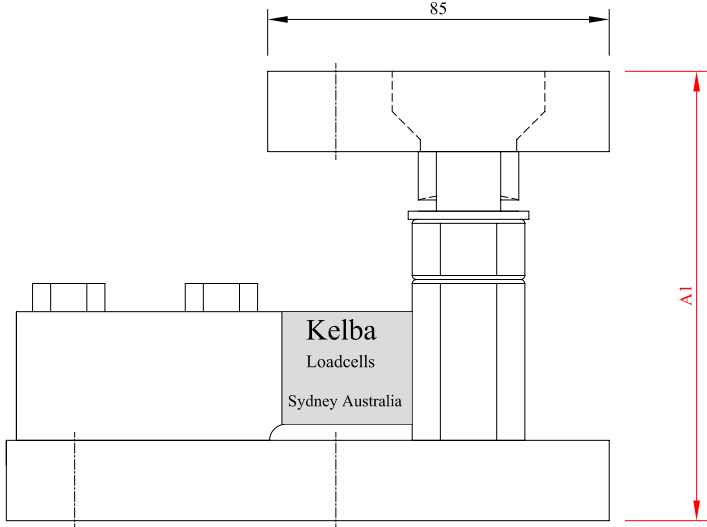


Kelba KMA 500 - 2000 Mounting Kit (Ball & Cup)



* KMA 500 - 2000 Overall Height When Load is applied	
A1 - Ball & Cup	111 mm (Nom)

* Available in Stainless Steel & Nickel Plating

Kelba (Australia) Pty Ltd					
Reference		KMA 500 - 2000 BC			
Date	23/05/06				
Mod by	M.Rodrick				
Approved		Drg. No.	1	Rev.	2
Scale	NTS	Date	21/03/07		