

7 Leonard Street, Hornsby NSW 2077 Australia-P.O. Box 1664, Hornsby Westfield NSW 1635
Tel: (02) 9476 4544 • Fax: (02) 9477 7974 • Int'l +61-2 • E-mail: kelba@kelba.com • Web Site: www.kelba.com

Kelba KOCS-L Digital HANGING SCALE

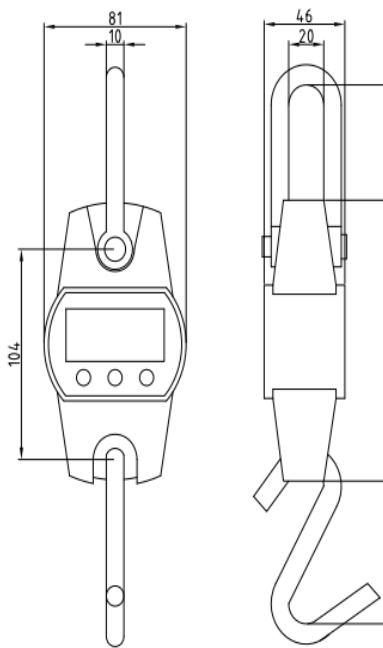
The **Kelba KOCS-L** series of digital Hanging Scales, offers the user a simple and easy method to weigh goods in a lifting / tension application, from 30kg to 300kg capacities.

Comes standard with top stainless steel shackle and stainless steel bottom hook.

Standard 20mm LCD display up to 150 hours of continuous operation makes for easy reading of the displayed weight. With standard Zero, Tare In / Tare Out function, Stable function makes this a very simple to use scale. Or as a replacement of older mechanical dial scales.

The Kelba KOCS-L hanging scale is also able to read weights in **kg, lb & N** as well as converting these from one weigh reading to other while in use. Some other handy features include an overload alarm to warn you if have gone over the capacity of the scale plus a battery indication function to warn you of the current battery power level.

The applications are limitless from Food industry Fishing Industry, Measuring Tension Forces and General Tension weighing at low capacities. (Non trade weighing applications only)



Features

✚ Die Cast Aluminium enclosure	✚ 3 x AA Battery power supply
✚ 20mm LCD Display	✚ Waterproof front panel buttons
✚ Stainless Steel Top Shackle	✚ Simple 3 button operation
✚ Stainless Steel Bottom Hook	✚ Capacities from 30kg to 300kg
✚ Choice of four colours depending on capacity	✚ Lightweight at only 620 grams

Specifications

Model	Capacity	LCD Display
KOCS-L-30:	30kg x 0.01kg	5 digits @ 20mm
KOCS-L-60:	60kg x 0.02kg	5 digits @ 20mm
KOCS-L -150:	150kg x 0.05kg	5 digits @ 20mm
KOCS-L-300:	300kg x 0.1kg	5 digits @ 20mm

Safe Overload Capacity:	120% F.S
Overload Alarm	100% FS + 9e
Safe Overload Capacity:	120% F.S
Ultimate Overload Capacity	300% F.S
Zero Range	4% F.S
Tare Range:	100% F.S
Finish:	Cast Aluminium casing.
Operating Temperatures:	-10 degrees C to 40 degrees C
Operating Humidity:	<85% RH under 20 degrees C
Display reading:	Kg, Lb & N
Battery life @ new	LCD = 150 hours continuous working with new batteries.
Auto Shut Off:	Yes.
Net Weight:	620 grams
Shipping Weight:	1.0kg
CAUTION:	<i>Overloading of hanging scale will void all warranty claims and can result in serious injury or death.</i>