

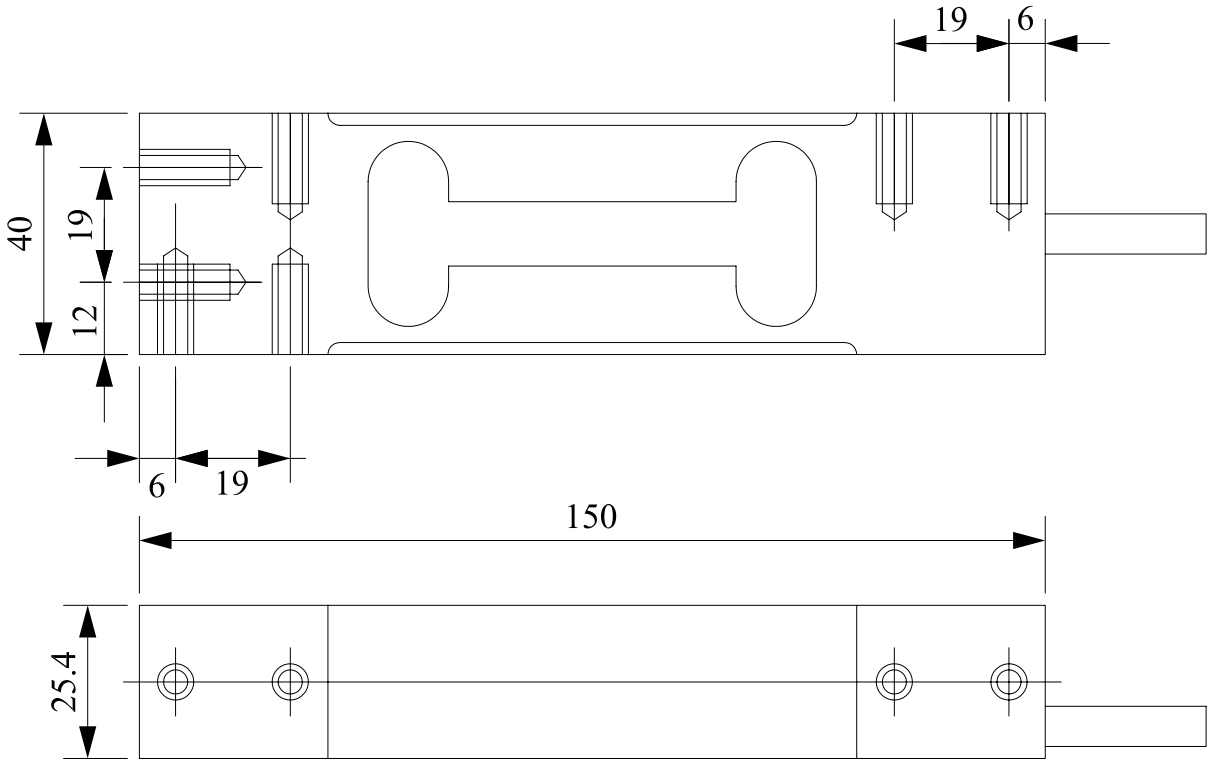
Kelba Single Point Load Cell (5 - 100kg) KPA 6340

STANDARD CAPACITIES

5 , 10 , 15 , 20 , 30 , 50 , 75 , 100 kg

SPECIFICATIONS

Rated Output	2.00mV/V ± 10%
Accuracy class	0.03
Non-linearity	0.03 % F.S
Hysteresis	0.03 % F.S
Non-repeatability	0.02 % F.S
Creep in 30 minutes	0.03 % F.S
Temperature effect span	15 PPM / °C of applied Load
Temperature effect zero	26 PPM / °C of applied Load
Compensated temperature range	- 10°C ~ 40 °C
Operating temperature range	- 40°C ~ 65 °C
Zero balance	± 1 % F.S
Input resistance	400 ± 15 Ω
Output resistance	350 ± 3 Ω
Safe overload	150 % F.S
Ultimate overload	300 % F.S
Excitation voltage	10 VAC/DC
Maximum excitation voltage	15 VAC/DC
Insulation resistance	> 5000M Ω (50 V DC)
Environmental protection	IP67
Material	Aluminium
Cable length	4 Mtr



All Holes M6 x 14 mm deep

Recommended maximum platform size: 300mm x 300mm

Wiring Color Code

Excitation + Red	Signal + Green
Excitation - Black	Signal - White

Kelba (Australia) Pty Ltd					
Reference		KPA 6340 Single Point Load Cell 5 - 100 kg			
Date	07/04/03				
Drawn	A . Truckner				
Approved		Drg. No.	KPA - 6340 - 1	Rev.	1
Scale	NTS			Date	05/05/04